

| Masse in Millimeter (mm) | |
|--------------------------|------------------------------------|
| | Ablaufrohr: HDPE110, HDPE66 |
| | Kaltwasser: GS27, Cu22, Cu18, Cu15 |
| | Warmwasser: Cu18, Cu15 |
| | Gas: BMS33, BMS27, BMS21 |
| | Verzinktes Rohr |
| | GS |
| | BMS |
| | Cu |
| | Kupferrohr |
| | HB |
| | Handblegen |
| | Biegen mit Biegeapparat |
| | MB |
| | Hauptmasse |
| | 100 |
| | Nebmasse |
| | 100 |
| | Kaltwasser = Verbinden |
| | Warmwasser = Handblegen |
| | VERBINDUNGEN |
| | VERBINDUNGEN |

| Measurements in millimetres (mm) | |
|----------------------------------|--|
| | Drain pipes: HDPE110, HDPE66 |
| | Cold water pipes: GS27, Cu22, Cu18, Cu15 |
| | Hot water pipes: Cu18, Cu15 |
| | Gas pipe, black steel: BMS33, BMS27, BMS21 |
| | Galvanized steel |
| | GS |
| | Black steel (gas) |
| | BMS |
| | Cu |
| | HB |
| | MB |
| | Machine band |
| | 100 |
| | Primary measurements |
| | 100 |
| | Secondary measurements |
| | Cold water = soft solder |
| | Hot water = silver solder |
| | JOINTS |
| | JOINTS |

| Mesures en millimètres (mm) | |
|-----------------------------|---|
| | Tuyaux d'évacuation: HDPE110 + 66 |
| | Tuyaux eau froide: GS27, Cu22, Cu18, Cu15 |
| | Tuyaux eau chaude: Cu18, Cu15 |
| | Tuyaux de gaz: BMS33, BMS27, BMS21 |
| | Acier galvanisé |
| | GS |
| | BMS |
| | Cu |
| | HB |
| | Chirage à la main |
| | MB |
| | Coudé à l'aide d'une chaise |
| | 100 |
| | Mesures primaires |
| | 100 |
| | Mesures secondaires |
| | RACCORDS |
| | Eau froide et évacuation = soudures tendres |
| | RACCORDS |
| | Eau chaude = soudures fortes |

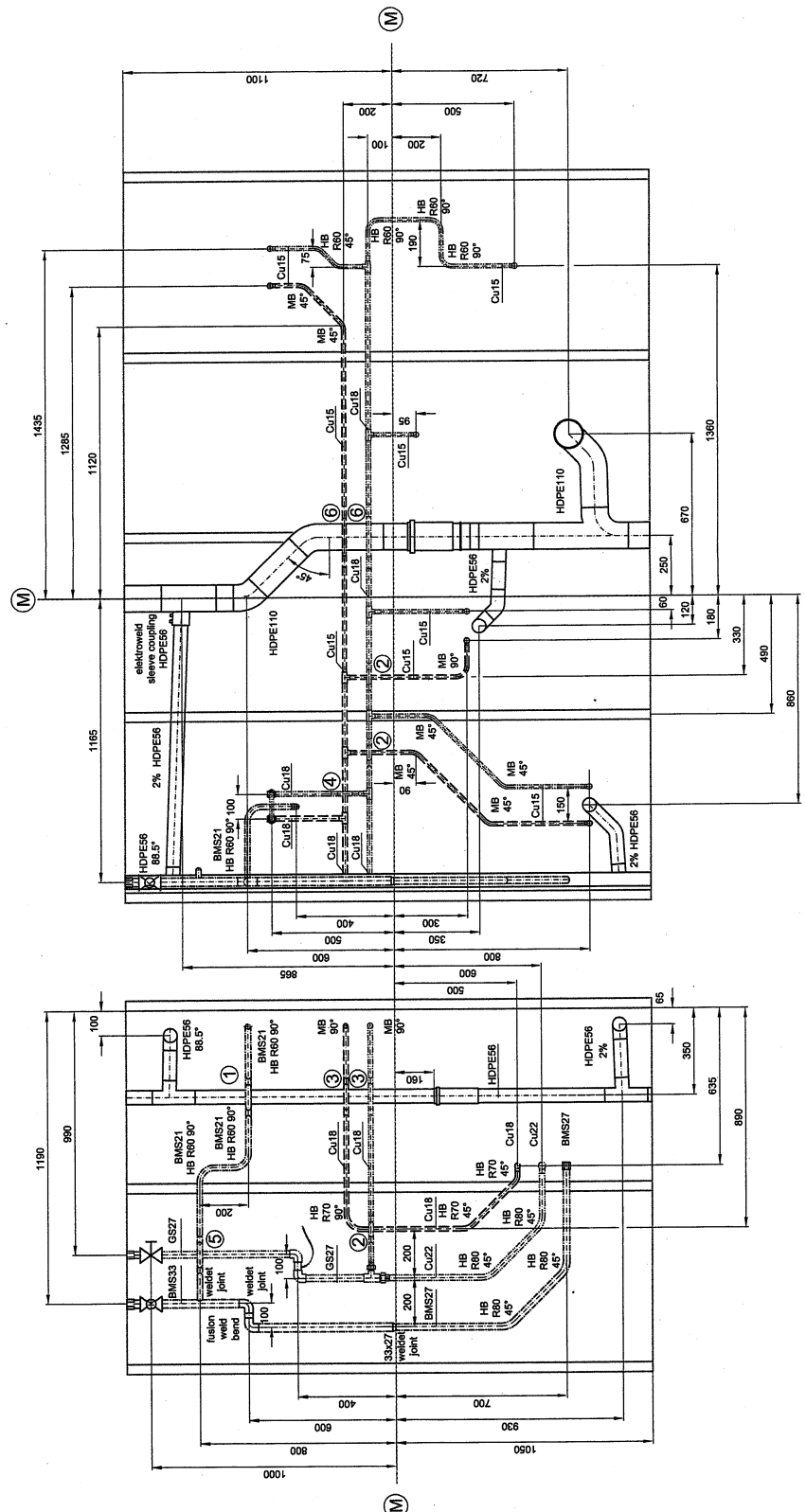
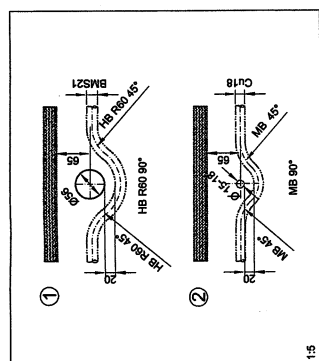
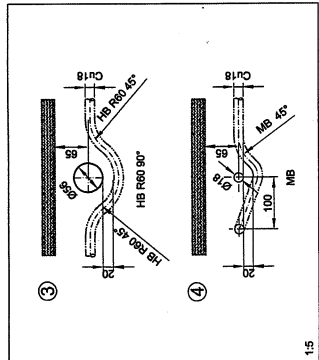
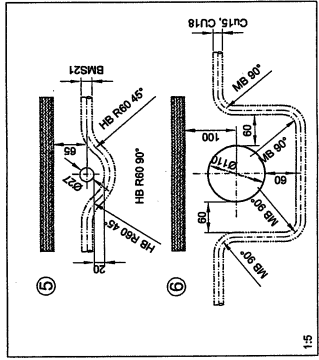
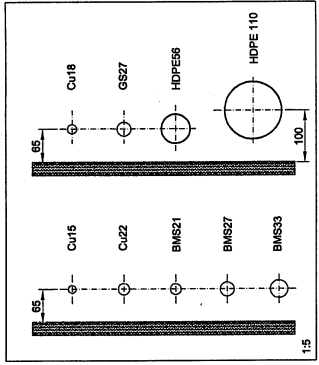
INTERNATIONAL VOCATIONAL TRAINING ORGANISATION
39TH WORLD SKILLS
COMPETITION
 2007
 SHIZUOKA
 JAPAN

Scale: 1:10
1:5

Date: _____ Name: _____
 Time: 22 Hours Examiner: _____

Designed: LA

proposed by Austria



| | |
|---------|--|
| NAME: | |
| NATION: | |
| NAME: | |
| NATION: | |